

**Models:**

**11462 - Standard Duty/Finisher**

**11475 - Standard Duty**

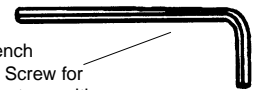
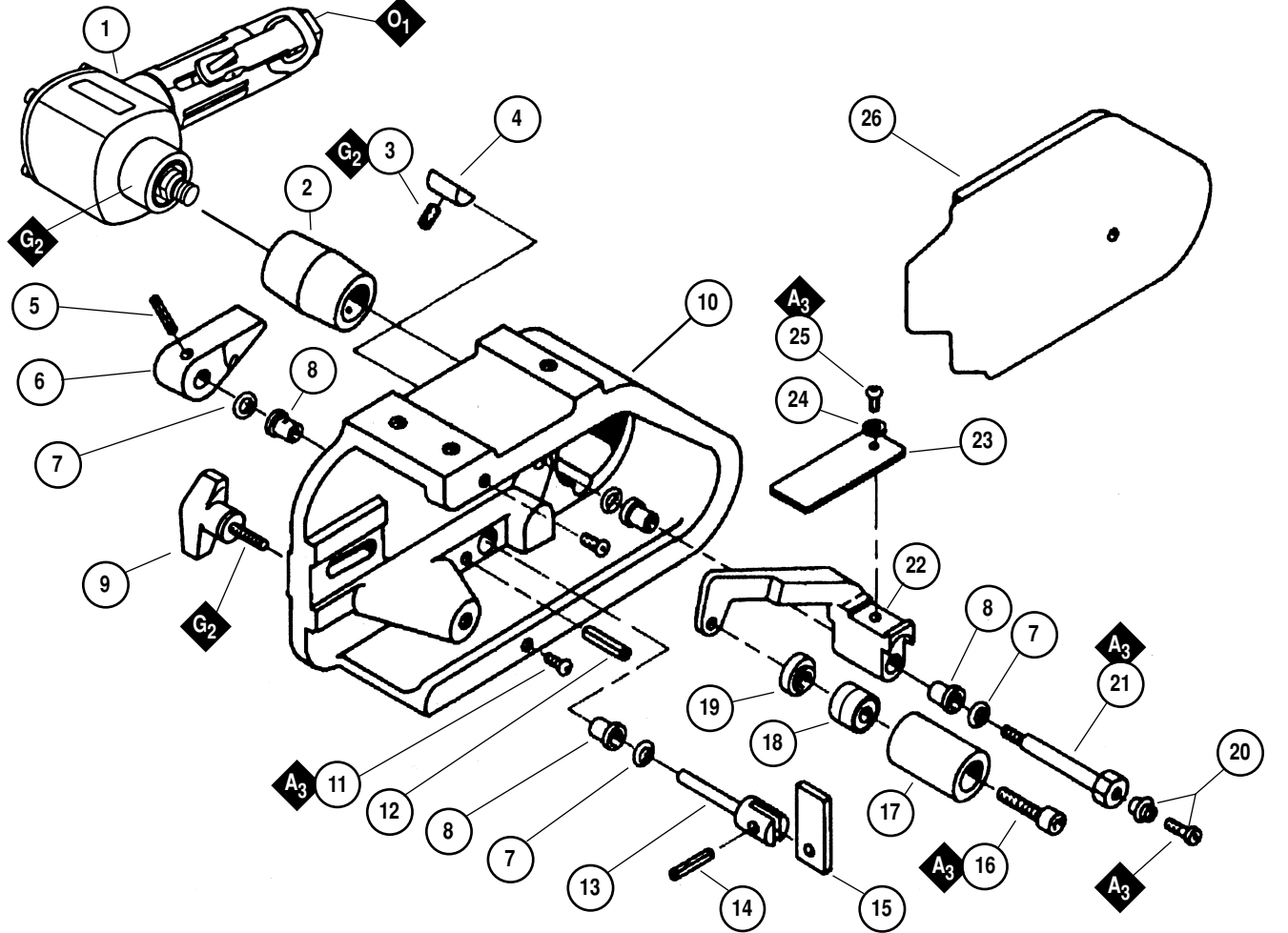
**11476 - Heavy Duty**

# Dynabelter®

1" Wide Abrasive Belt Capacity

## ⚠ WARNING

Always operate, inspect and maintain this tool in accordance with the Safety Code for portable air tools (ANSI B186.1) and any other applicable safety codes and regulations. Please refer to Dynabrade's Warning/Safety Operating Instructions for more complete safety information.



95048 Wrench  
 Fits 95392 Screw for  
 adjusting motor position.

### Index Key

No. Part # Description

1	<b>Air Motor</b> 01608 Model-11462, 11475 07100 Model-11476	8	11519 Flange Bearing (4)	17	11531 Idler Wheel
2	<b>Drive Wheel</b> 14230 Model-11462, 11475 11518 Model-11476	9	95419 Knob (Incl. 95417 Washer)	18	11016 Bearing (2)
3	95392 Set Screw	10	11516 Housing	19	11017 Spacer
4	11801 Motor Lock	11	95207 Screw (2)	20	11577 Button Latch Assy.
5	95240 Roll Pin	12	95454 Pin	21	11575 Tension Lever Screw
6	11551 Belt Tension Lever	13	11547 Shaft	22	11517 Idler Arm
7	95226 O-Ring (4)	14	95216 Pin	23	11539 Tension Spring
		15	11545 Tension Wiper	24	95146 Washer
		16	95239 Screw	25	95235 Screw
				26	11592 Cover Guard

KEY	
<b>O</b>	Oil: O <sub>1</sub> = Air Lube
<b>G</b>	Grease: G <sub>2</sub> = Loctite #771
<b>A</b>	Adhesive: A <sub>1</sub> = Loctite #609 A <sub>2</sub> = Loctite #271 A <sub>3</sub> = Loctite #243 A <sub>6</sub> = Loctite #380 A <sub>8</sub> = Loctite #567
<b>T</b>	Torque: N•m x 8.85 = In. - lbs.

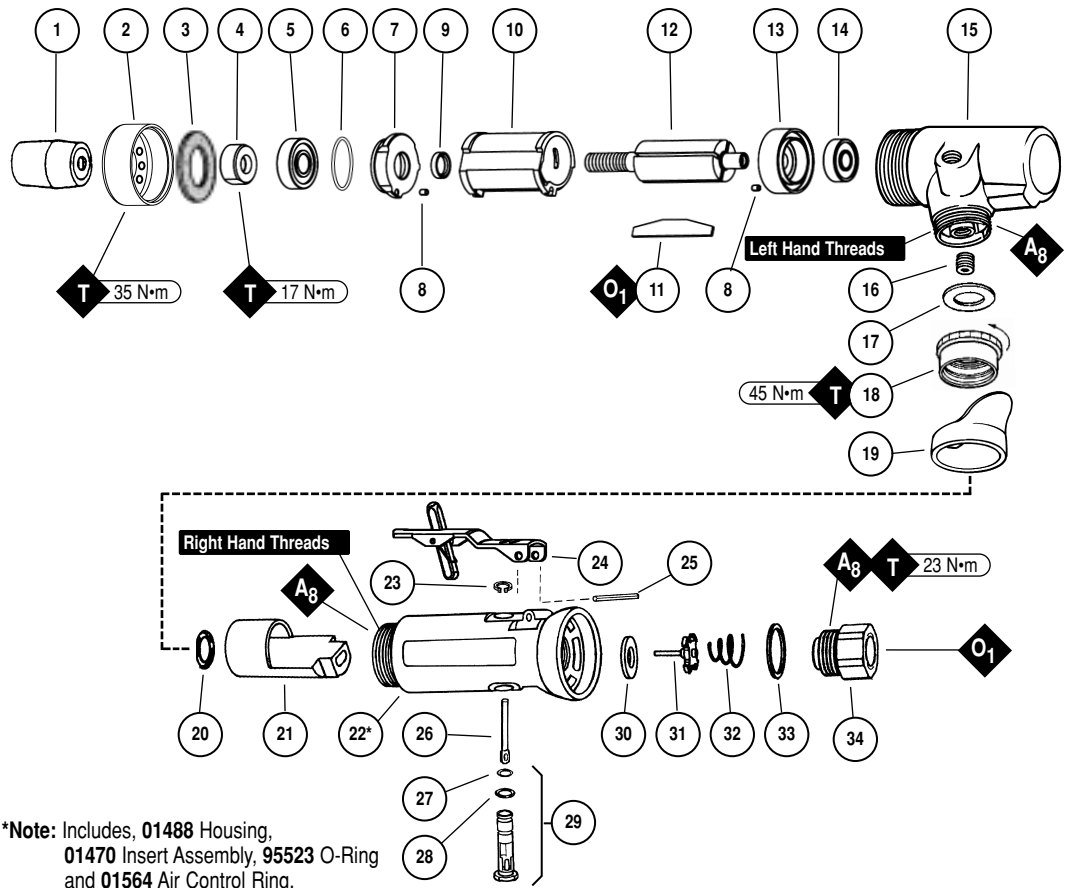
**Note:** To order replacement parts specify the model and serial number of your machine.

\*See page 2 for 01608 and 07100 Motor Assemblies, page 3 for Standard Contact Arm Assemblies.  
 See page 7 for Important Operating/Maintenance and Safety Instructions before operating this tool.

# Standard Duty Air Motor 01608 – Powers Model 11462 & 11475 Dynabelter® (Includes 14230 Drive Wheel)

## Index Key

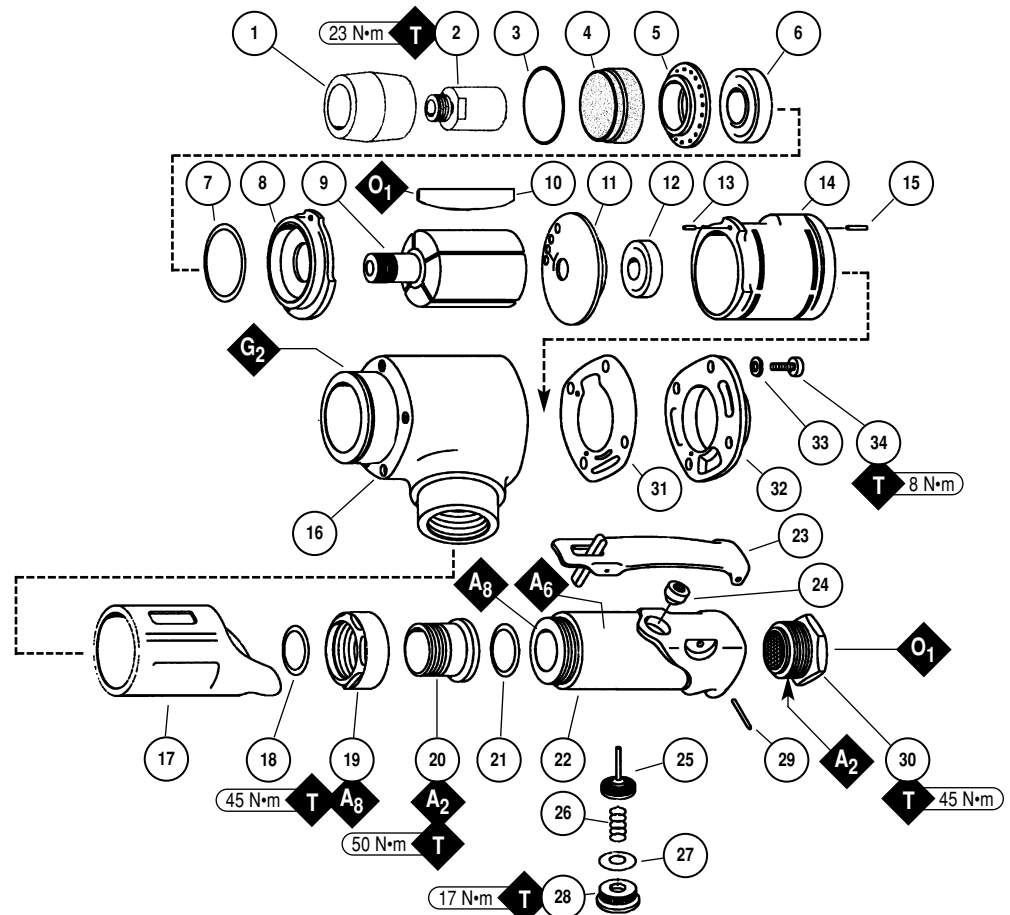
No.	Part #	Description
1	14230	Drive Wheel
2	01738	Exhaust Cover
3	01744	Silencer
4	01708	Rotor Nut
5	01007	Bearing
6	01121	Shim (3/Pkg.)
7	01008	Bearing Plate
8	50767	Pin (2)
9	01010	Spacer
10	01028	Cylinder
11	01185	Blade (4/Pkg.)
12	55025	Rotor
13	01743	Bearing Plate
14	02649	Bearing
15	01739	Motor Housing
16	01437	Plug
17	01548	Gasket
18	01461	Lock Nut
19	01558	Collar
20	95523	Seal
21	01470	Insert
22	01975*	Housing Assembly
23	95558	Retaining Ring
24	01462	Safety Lock Lever
	01448	Throttle Lever
25	12132	Pin
26	01449	Valve Stem
27	95730	O-Ring
28	01024	O-Ring
29	01469	Speed Regulator Assy.
30	01464	Seal
31	01472	Tip Valve
32	01468	Spring
33	01564	Air Control Ring
34	01494	Inlet Bushing



# Heavy-Duty Air Motor 07100 – Powers Model 11476 Dynabelter® (Includes 11518 Drive Wheel)

## Index Key

No.	Part #	Description
1	11518	Drive Wheel
2	02553	Spindle Adapter
3	95584	O-Ring
4	01674	Silencer
5	07153	Air Control Ring
6	01036	Bearing
7	01277	Shim Pack (3/Pkg.)
8	07119	Bearing Plate
9	07103	Rotor
10	07107	Blade (5/Pkg.)
11	07114	Bearing Plate
12	01007	Bearing
13	01673	Guide Pin
14	07118	Cylinder
15	01775	Guide Pin
16	07130	Housing
17	07136	Grip
18	02658	Packing
19	02631	Nut
20	02626	Adj. Housing
21	01746	O-Ring
22	07141	Valve Body Assembly (Incl. 07142 Bushing)
23	01089	Safety Lock Lever
24	07142	Bushing
25	07168	Valve Stem Assembly
26	07145	Spring
27	07146	Packing
28	07147	Plug
29	01017	Pin
30	01660	Inlet Bushing
31	07129	Gasket
32	07122	Cap
33	01791	Washer (4)
34	01790	Screw (4)



# Dynabelter® Standard Contact Arm Assemblies

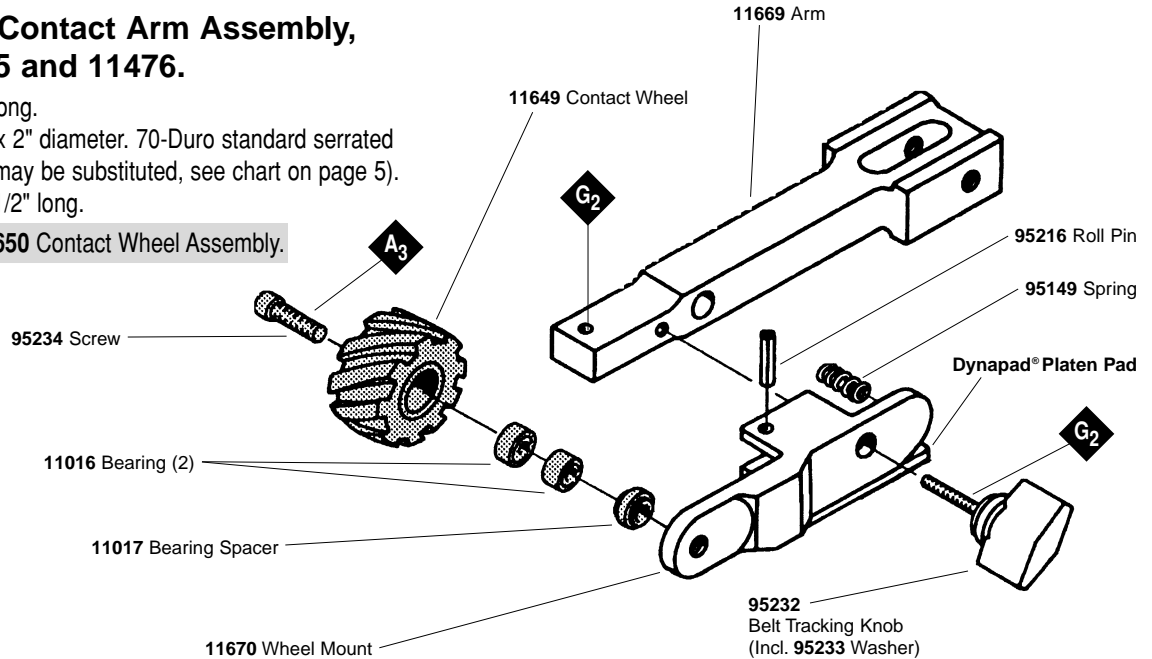
## 11681 Standard Contact Arm Assembly, for Models 11475 and 11476.

**Belt Size:** 1" wide x 30" long.

**Contact Wheel:** 1" wide x 2" diameter. 70-Duro standard serrated urethane. (Other wheels may be substituted, see chart on page 5).

**Platen Pad:** 1" wide x 2-1/2" long.

Shaded parts indicate **11650 Contact Wheel Assembly**.

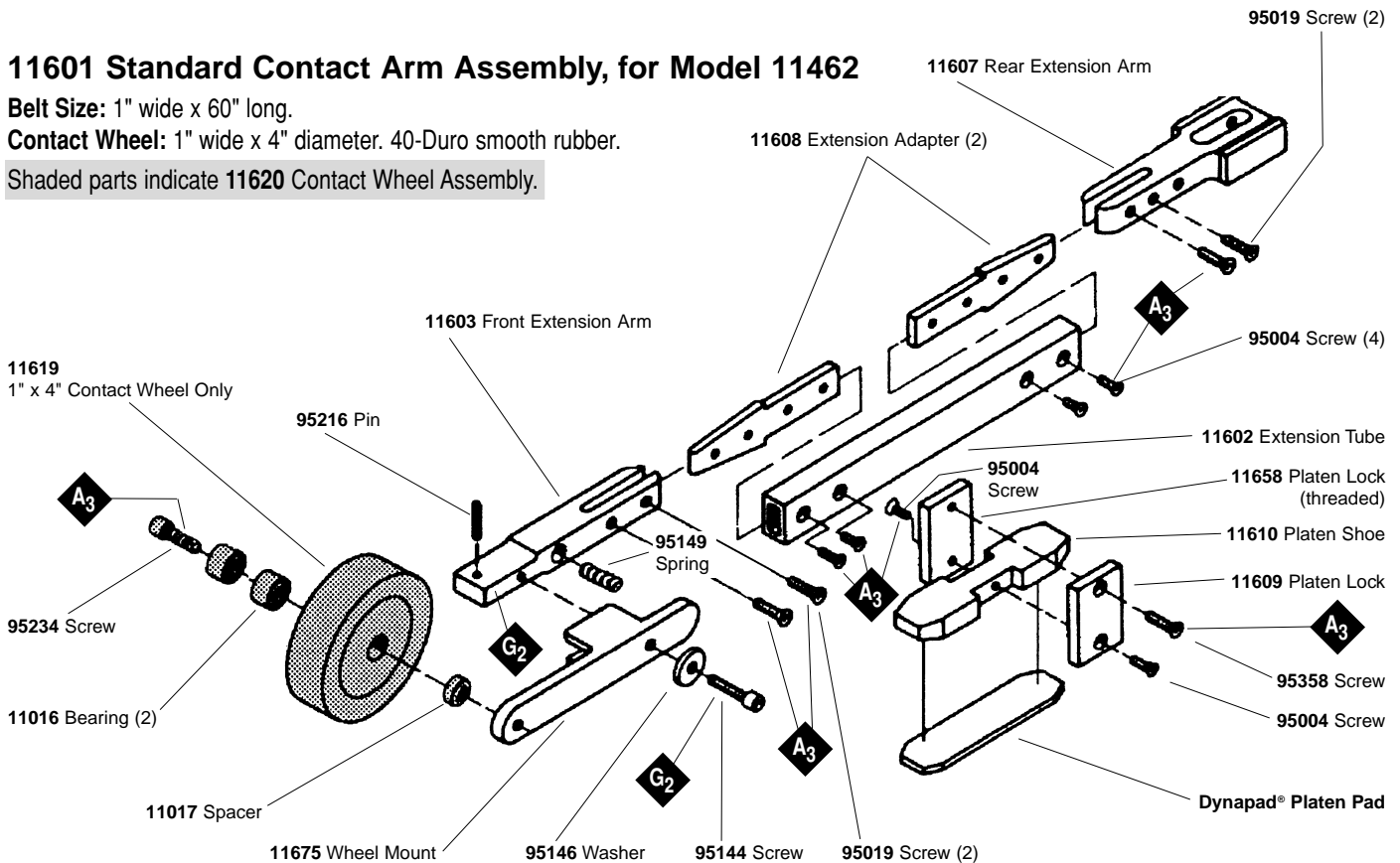


## 11601 Standard Contact Arm Assembly, for Model 11462

**Belt Size:** 1" wide x 60" long.

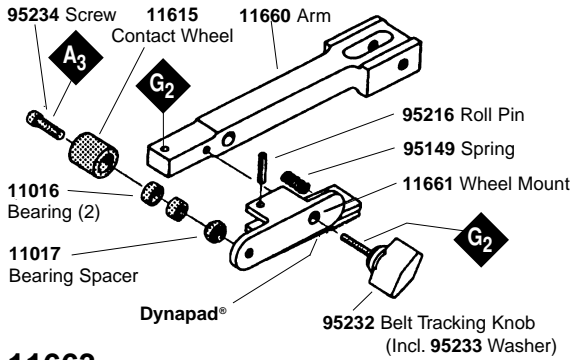
**Contact Wheel:** 1" wide x 4" diameter. 40-Duro smooth rubber.

Shaded parts indicate **11620 Contact Wheel Assembly**.



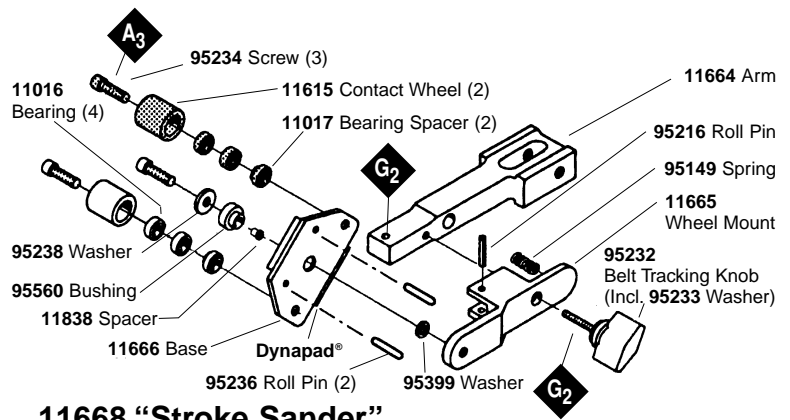
The **11462** Dynabelter® Finisher normally uses 1" wide x 60" long abrasive belts.  
The **11602** Extension Tube can be modified to accommodate various belt lengths.

# Optional Contact Arm Assemblies



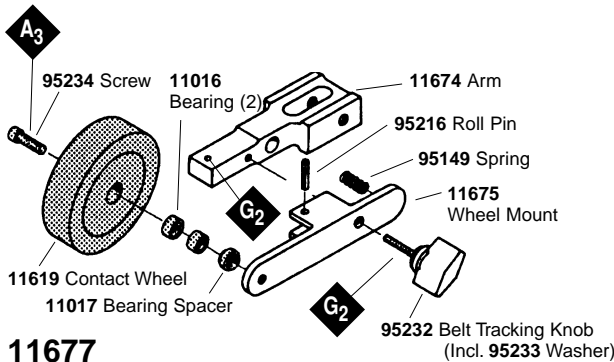
## 11663

**Belt Size:** 1" wide x 30" long.  
**Contact Wheel:** 1" wide x 1" diameter. 80-Duro smooth rubber.  
**Platen Pad:** 1" wide x 2-1/2" long.  
 Shaded parts indicate 11616 Contact Wheel Assembly.



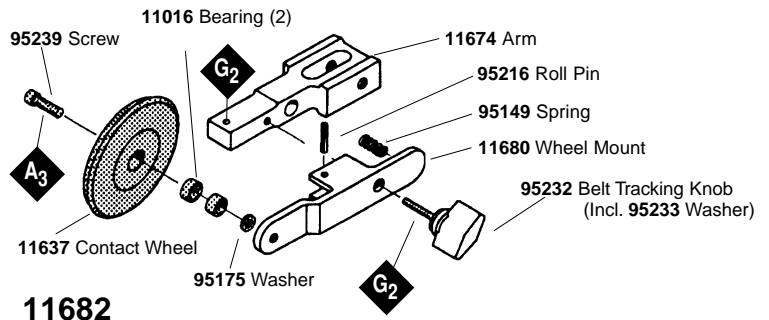
## 11668 "Stroke Sander"

**Belt Size:** 1" wide x 30" long.  
**Contact Wheel:** 1" wide x 1" diameter. 80-Duro smooth rubber.  
**Platen Pad:** 1" wide x 1-7/8" long.  
 Shaded parts indicate 11616 Contact Wheel Assembly (2 included).



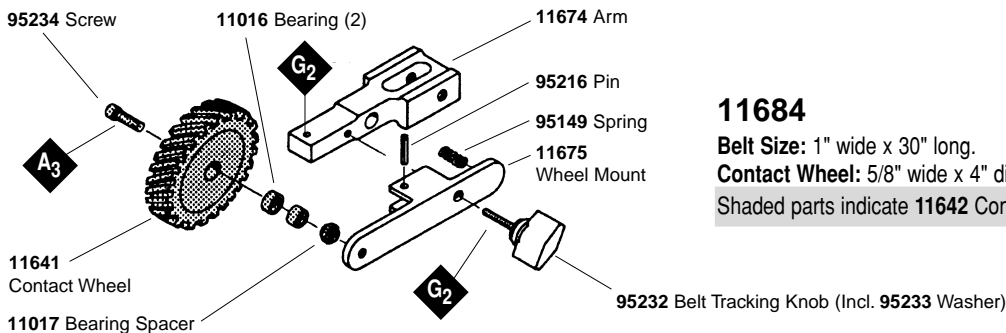
## 11677

**Belt Size:** 1" wide x 30" long.  
**Contact Wheel:** 1" wide x 4" diameter. 40-Duro smooth rubber.  
**Note:** 80-Duro available.  
 Shaded parts indicate 11620 Contact Wheel Assembly.



## 11682

**Belt Size:** 1/2" or 1" wide x 30" long.  
**Contact Wheel:** 1" wide x 4" diameter. 70-Duro radiused rubber.  
 Shaded parts indicate 11638 Contact Wheel Assembly.

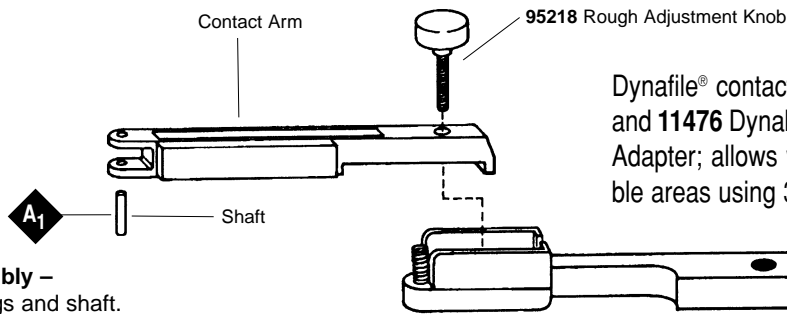
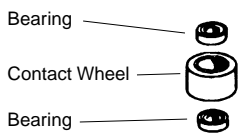


## 11684

**Belt Size:** 1" wide x 30" long.  
**Contact Wheel:** 5/8" wide x 4" diameter. 40-Duro standard serrated rubber.  
 Shaded parts indicate 11642 Contact Wheel Assembly.

**Note:** Arm extenders are available: 11656 for 42" belts; 11657 for 54" belts; 11679 for 60" belts.

## Optional Contact Arm Assemblies (continued)



Dynaflex® contact arms can be mounted on 11475 and 11476 Dynabelter® models with optional 11739 Adapter; allows work in small, normally inaccessible areas using 30" belts (8" reach).

**Contact Wheel Assembly –**  
Includes wheel, bearings and shaft.

**11739 Adapter**  
(Includes 95218 Rough Adj. Knob)

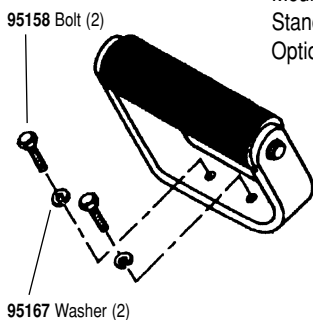
### Dynaflex® Contact Arms for use with Dynabelter (11739 Adapter)

Part Number	Abrasive Belt Size	Contact Wheel Description	Contact Wheel Assembly	Contact Wheel Only	Bearing (2) Req.	Shaft
11212	1/4" x 24"	5/16" Dia. x 1/8" W Steel	11066	11065	11051 (1)	11056
11213	1/2" x 24"	5/16" Dia. x 3/8" W Steel	11068	11067	11051	11054
11214	1/2" x 24"	7/16" Dia. x 3/8" W Rubber	11070	11069	11051	11054
11215	1/4" x 24"	7/16" Dia. x 1/8" W Brass	11072	11071	11052 (1)	11053
11216	1/4" x 24"	5/8" Dia. x 1/8" W Rubber	11074	11073	11052 (1)	11053
11217	1/2" x 24"	1/2" Dia. x 3/8" W Steel	11076	11075	11052	11054
11218	1/2" x 24"	5/8" Dia. x 1/8" W Rubber	11078	11077	11052	11054
11219	1/4" or 1/2" x 24"	1" Dia. x 3/8" W Radiused Rubber	11080	11079	11052	11054
11228	1/2" x 24"	5/8" Dia. x 3/8" W Rubber	11078	11077	11052	11054
11231	1/2" x 24"	3/4" Dia. x 1/2" W Rubber	11084	11083	11052	11055
11232	1/8" or 1/4" x 24"	1" Dia. x 3/8" Tapered Urethane	11086	11085	11052	11054
11239	1/2" x 24"	5/16" Dia. x 3/8" W Steel	11068	11067	11051	11054
11243	1/2" x 24"	3/4" Dia. x 1/2" W Rubber	11084	11083	11052	11055

## Accessories

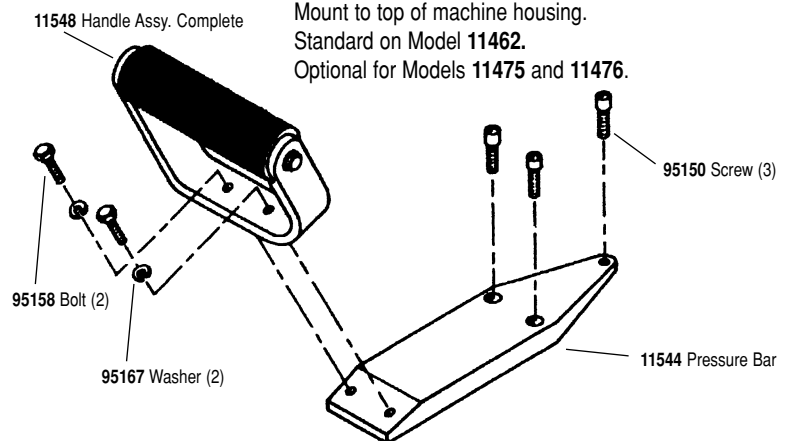
### 11548 Top Handle Assembly

Mounts to top of machine housing.  
Standard on Model 11476.  
Optional for Model 11475.

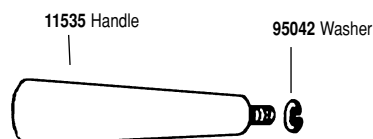


### 11705 Pressure Bar Assembly

Mount to top of machine housing.  
Standard on Model 11462.  
Optional for Models 11475 and 11476.



### 11535 Side Handle



Mount to side of machine housing.  
Standard on Model 11475.  
Optional for Models 11462 and 11476.

## Optional Accessories

### 1" x 2" Urethane Wheel Assemblies Available for 11681 Contact Arm Assembly

Durometer	Serration	Color	Part No.
90	Scoop	Amber	11614
90	Standard	Amber	11618
80	Standard	Blue	11652
70	Standard	Green	11650
60	Standard	Red	11648

**Note:** Higher durometer indicates harder wheel for more aggressiveness. Scoop serration also is more aggressive than standard serration.



#### Dynaswivel®

Swivels 360° at two locations which allows an air hose to drop straight to the floor, no matter how the tool is held.

- 94300 1/4" NPT
- 95461 3/8" NPT
- 95462 1/2" NPT

### Dynapad® Platen Pads – Mounts to tool contact arm to provide abrasive belt support.

Part No.	Used on these Contact Arms	Size	Material	Pkg. Qty.
11025	Dynafile®	1/2" W x 7" L x 1/8" Thk	Soft/Sponge	5
11026	Dynafile®	1/2" W x 7" L x 1/8" Thk	Hard/Cork	5
11027	Dynafile®	1/2" W x 7" L x 1/32" Thk	Thin	5
11028	Dynafile®	1/2" W x 3" L x 1/8" (bolts on 11228 Contact Arm)	Steel	1
11032	Dynafile®	1/4" W x 7" L x 1/8" Thk	Soft/Sponge	5
11033	Dynafile®	1/4" W x 7" L x 1/8" Thk	Hard/Cork	5
11034	Dynafile®	1/4" W x 7" L x 1/32" Thk	Thin	5
11604	Dynabelter®	1" W x 7" L x 1/8" Thk	Soft/Sponge	5
11605	Dynabelter®	1" W x 7" L x 1/8" Thk	Hard/Cork	5
11814	Dynabelter®	2" W x 7" L x 1/8" Thk	Hard/Cork	1
11834	Dynabelter®	2" W x 7" L x 1/8" Thk	Soft/Sponge	1

**Note:** All Dynapad Platens PSA mounted except 11028. Cork and sponge-base platen pads easily trimmed to size. Unit = 10 pkgs. each.

**Soft**  
For deburring and polishing contoured pieces.

11025 – 1/2" W x 7" L x 1/8" Thk. – 5/pkg.  
11119 – 3/4" W x 7" L x 1/8" Thk. – 5/pkg.

---

**Hard**  
For heavy deburring and polishing

11026 – 1/2" W x 7" L x 1/8" Thk. – 5/pkg.  
11109 – 3/4" W x 7" L x 1/8" Thk. – 5/pkg.

---

**Thin**  
For aggressive grinding.

11027 – 1/2" W x 7" L x 1/32" Thk. – 5/pkg.  
11129 – 3/4" W x 7" L x 1/32" Thk. – 5/pkg.

---

**Metal**

For flat grinding and heavy stock removal; bolts to contact arm.  
11028 — 1/2" W x 3" L (for Dynafile II 11228 Arm only)

## Abrasive Belts

### Coated Aluminum Oxide/30" Long

**Tough, durable synthetic used for work on high carbon steels, general metalworking and certain hardwoods.**

**2" Wide/Unit = 50 Belts. All others/Unit = 200 Belts**

Grit	Part Numbers			
	1/4" W	1/2" W	1" W	2" W
40	92175	92180	92185	92190
60	92176	92181	92186	92191
80	92177	92182	92187	92192
120	92178	92183	92188	92193
180	90471	90493	90512	90390
220	90472	90494	90513	90391
320	90473	90496	90514	90392

**60" Long — For use with 11679 Contact Arm Extender**

60	—	—	94621	94611
80	—	—	94622	94612
120	—	—	94623	94613

### Abrasive Impregnated Non-Woven Nylon/30" Long

**Mineral is impregnated in non-woven fiber. Results in consistent surface conditioning and cleaning.**

**Unit = 12 Belts**

Grit	1/4" W	1/2" W	1" W	2" W
Very Fine	—	90406	90401	90414
Medium	—	90436	90437	90438
Coarse	—	90442	90444	90448

### Cloth Polishing Belts/30" Long

**Unit = 25 Belts**

—	—	—	90015	—
---	---	---	-------	---

# Important Operating, Maintenance and Safety Instructions

Carefully read all instructions before operating or servicing any Dynabrade® Abrasive Power Tool.

**Warning:** Hand, wrist and arm injury may result from repetitive work motion and overexposure to vibration.

## Operating Instructions:

**Warning:** Eye, face, respiratory, sound and body protection must be worn while operating power tools. Failure to do so may result in serious injury or death. Follow safety procedures posted in workplace.

1. With power source disconnected from tool, securely position abrasive belt on tool (see abrasive belt/contact arm change instructions).
2. Connect power source to tool. Be careful **not** to depress throttle lever in the process.
3. Check tool speed with tachometer. If tool is operating at a higher speed than the RPM marked on the tool or operating improperly, the tool should be serviced to correct the cause before use.
4. Always work off the return side of the abrasive belt. This will ensure superior tracking and less down time of machine.

## Abrasive Belt/Contact Arm Change Instructions:

### To Change Belt:

1. Disconnect power source.
2. Remove **11592** Cover Guard.
3. Release **11551** Belt Tension Lever.
4. Pull belt backwards and to the left until belt is released from drive wheel.
5. Reverse process for applying new belt.
6. Connect power source.
7. Depress throttle lever to start motor and belt rotation.
8. Adjust belt tracking by turning **95232** Belt Tracking Knob on contact arm assembly to the left or right accordingly.

### To Change Contact Arm Assembly:

1. Disconnect power source.
2. Remove **11592** Cover Guard.
3. Remove abrasive belt (see instructions).
4. Remove **95419** Rough Adjustment Knob.
5. Remove Contact Arm and replace with desired contact arm.
6. Replace **95419** Knob. Do not tighten knob at this point.
7. Replace abrasive belt.
8. With abrasive belt in proper position, push contact arm assembly forward until the contact wheel is tight against abrasive belt.
9. Tighten **95419** Knob.
10. Replace **11592** Cover Guard.
11. Reset **11551** Belt Tension Lever.
12. Connect power source and depress throttle lever to start motor and abrasive belt rotation.
13. Adjust belt tracking by turning **95232** Belt Tracking Knob on contact arm assembly to the left or right accordingly.

## Maintenance Instructions:

**Products offered by Dynabrade should not be converted or otherwise altered from original design without expressed written consent from Dynabrade, Inc. All Dynabrade rotary vane air tools must be used with a filter-regulator-lubricator to maintain all warranties.**

1. Check tool speed regularly with a tachometer. If tool is operating at a higher speed than the RPM marked on the tool, the tool should be serviced to correct the cause before use.
2. Some silencers on air tools may clog with use. Clean and replace as required.
3. All Dynabrade rotary vane air motors should be lubricated with two drops of Dynabrade Air Lube (P/N **95842**: 1pt. 473ml.) every four hours of use.
4. It is strongly recommended that all Dynabrade rotary vane air tools be used with a Filter-Regulator to minimize the possibility of misuse due to unclean air, wet air or insufficient lubrication. Dynabrade recommends the following: **11411** Air Line Filter- Regulator-Lubricator — Provides accurate air pressure regulation, two-stage filtration of water contaminant's and micro-mist lubrication of pneumatic components. Operates 55 SCFM @ 100 PSIG has 1/2" NPT female ports.

## Safety Instructions:

**Products offered by Dynabrade should not be converted or otherwise altered from original design without expressed written consent from Dynabrade, Inc.**



- **Important:** User of tool is responsible for following accepted safety codes such as those published by the American National Standards Institute (ANSI).
- **Warning:** Eye, face, respiratory, sound and body protection must be worn when operating power tools. Failure to do so may result in serious injury or death.
- Products offered by Dynabrade should not be converted or otherwise altered from original design without the expressed written consent of Dynabrade, Inc.
- Tool RPM rating must never exceed abrasive/accessory RPM rating, regardless of tools capacity.
- Operate machine for one minute before application to workpiece to determine if machine is working properly and safely before work begins.
- Always use proper guards. Make sure guards are in proper position, secure and in good repair.
- Always disconnect power supply before changing abrasive or making machine adjustments.
- Inspect abrasives for damage or defects prior to installation on tools. Make sure belts are mounted properly; check for proper tension and belt tracking.
- Please refer to Dynabrade's Warning/Safety Operating Instructions Tag (Reorder No. **95903**) for more complete safety information.



Visit our new Web Site: [www.dynabrade.com](http://www.dynabrade.com)

Email: [Customer.Service@Dynabrade.com](mailto:Customer.Service@Dynabrade.com)

**DYNABRADE, INC.**, 8989 Sheridan Drive • Clarence, NY 14031-1490 • Phone: (716) 631-0100 • Fax: 716-631-2073 • International Fax: 716-631-2524  
**DYNABRADE EUROPE S.à.r.l.**, Zone Artisanale • L-5485 Wormeldange—Haut, Luxembourg • Telephone: 352 76 84 94 1 • Fax: 352 76 84 95 1

©DYNABRADE, INC., 2004

PRINTED IN USA

PD01.05\_Rev.1\_01/04